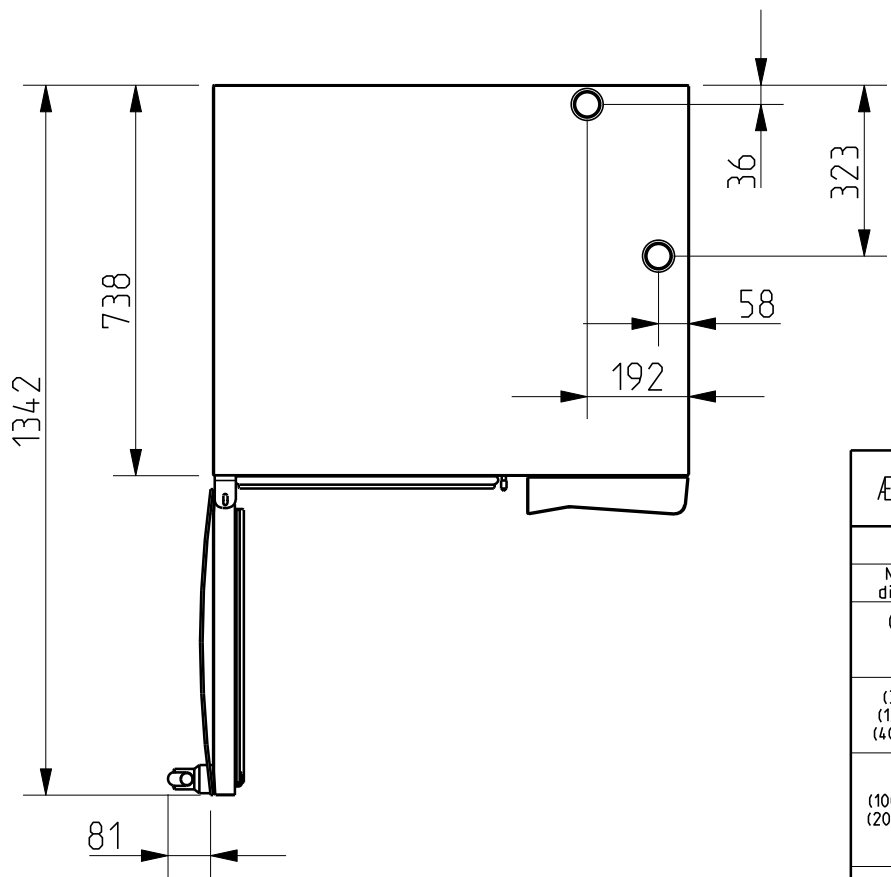
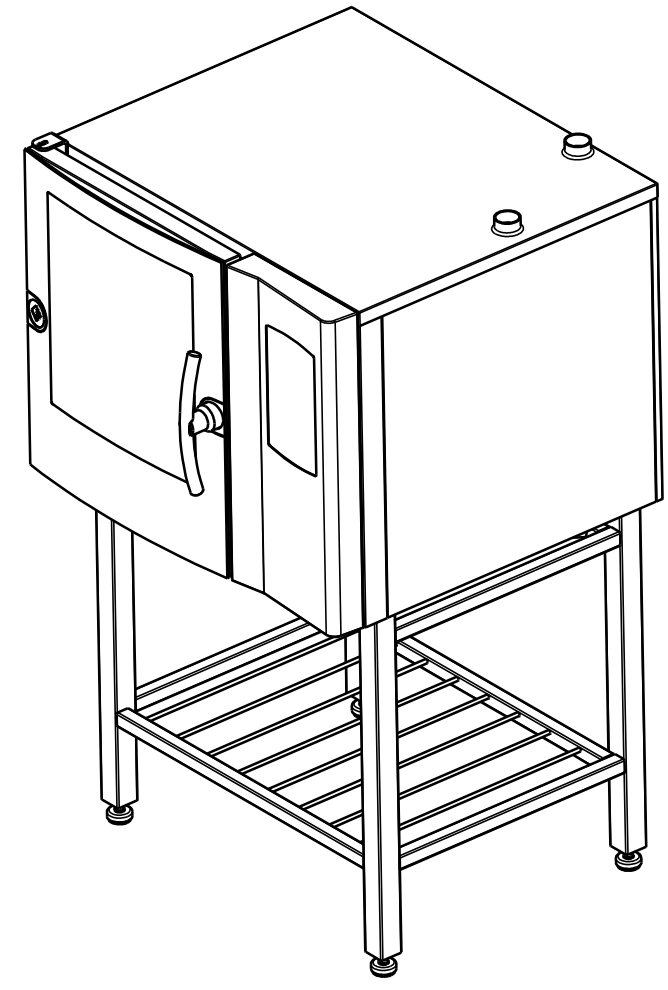
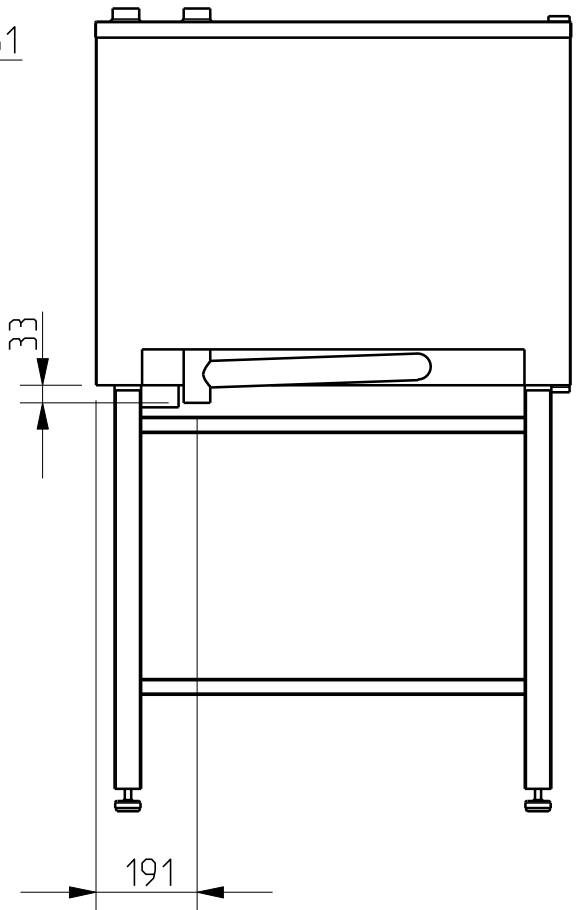
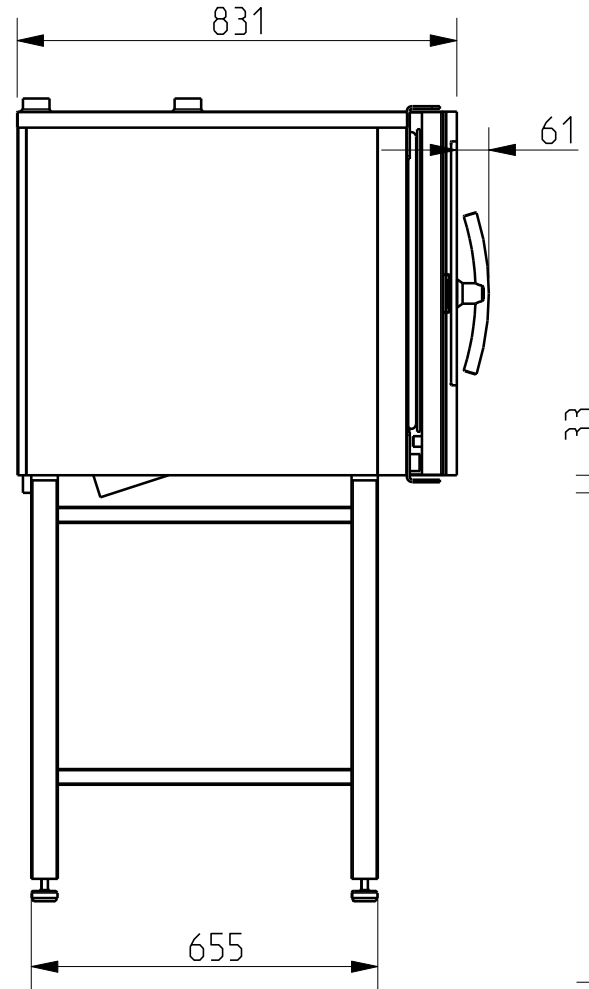
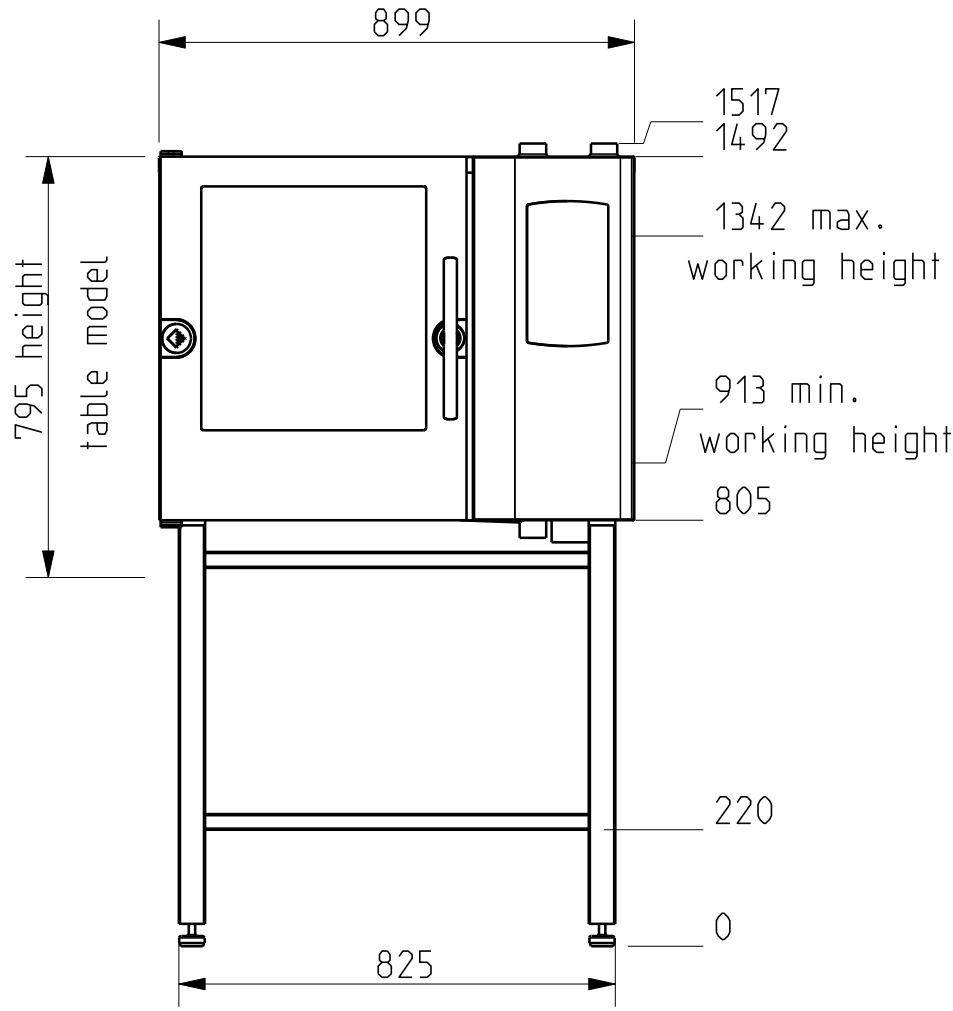
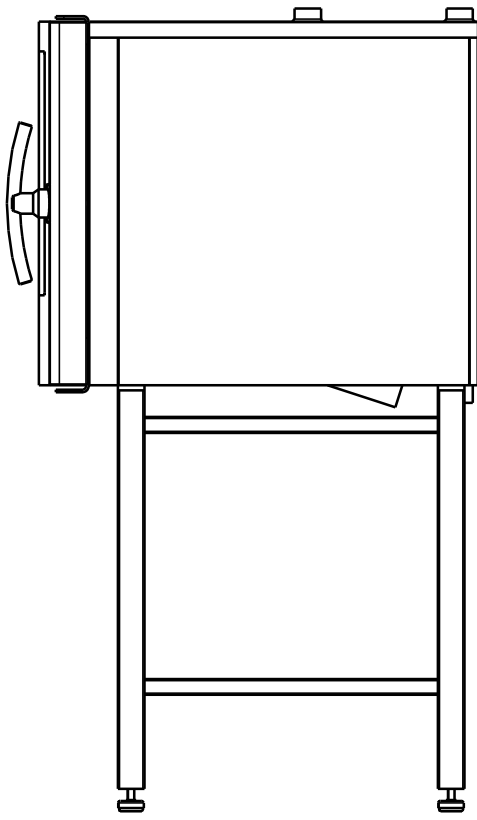



A

B

C



Andr.	-	-	-	-	-	-	-	-	-	
Mål uden toleranceang.				Materialenr	Materiale					
Nominal dim. mm.	Fin	Middel	Grov	-	-					
(0.5)-3 (3)-6 (6)-30	±0.05 ±0.05 ±0.10	±0.10 ±0.10 ±0.20	±0.20 ±0.30 ±0.50							
(30)-120 (120)-400 (400)-1000	±0.15 ±0.20 ±0.30	±0.30 ±0.50 ±0.80	±0.80 ±1.20 ±2.00							
(1000)-2000 (2000)-4000	±0.50 -	±1.20 ±2.00	±3.00 ±4.00							
DS/ ISO 2768				Benævnelse	Tegningsnr.				-	
				Visual Cooking 1.06/5	35020001 .00				-	
								Side 1 af 1		

1

2

1

2