



HOUNÖ B, C, K

Service & Installation manual

ENG

Table of Contents

	Page
Preface and terms of warranty	3
Rating plate	4
Installation and connection	5
-Installation	6
-Water connection	7
-Drain connection	8
-Electrical connection/survey of supply lines	9
Exhaust	10
Checking before use	11
Annual service check	12-13
Start menu	14
Oven set-up	15-17
-Set-up mode U1 to U9	16
-Set-up mode U10 to U15	17
Test functions	18-23
-Test mode D0 to D6	19
-Test mode D7 to D15	20
-Test mode D16 to D20	22
-Test mode D21 to D28	23
-Test mode D29 to D47	24
User menu	25-29
-User menu B1 to B6	26
-User menu B7 to B12	27
-User menu B13 to B20	28
-User menu B21 to B24	29
Error codes	30
Survey of error codes	31
Appendices	32-34
-Appendix 1: HOUNÖ installation checklist	32-33
-Appendix 2: HOUNÖ instruction checklist	34
Notes	35-36



Preface and Terms of Warranty

You are now the owner of one of the leading oven products on the market. All HOUNÖ products are currently subjected to intensive product development, which ensures that the products always contain the latest technology and the most up-to-date and energy-saving methods of preparation.

Furthermore, the HOUNÖ products are entirely up-to-date with the latest developments/technology in terms of

- ERGONOMICS AND SAFETY
- SIMPLE AND LOGICAL OPERATION
- USER FRIENDLY DESIGN
- RELIABILITY AND SERVICE

To ensure that our customers get an optimum and reliable product, all HOUNÖ units are passed through an extensive test program in which all functions are subjected to a continuous and extreme load.

For optimum results

Before you start using the oven, we recommend that you study the user's manual thoroughly in order to be able to fully utilise the many facilities and to ensure optimum cooking results. Furthermore, by going through the manual, you will obtain a better understanding of the advanced technology and feel safer when using the oven in your daily work.

Terms of warranty

Provided that it has been registered on the HOUNÖ website, your new HOUNÖ oven is covered by a 48-month factory warranty. The warranty covers the oven cabinet and spare parts. Furthermore, there is a 10-year warranty on the exterior door glass. The period of warranty takes effect from the date of production. For further information on the warranty terms, please visit www.houno.com/warranty.

The warranty does not include....

We especially draw your attention to the fact that the factory warranty does not cover glass parts such as interior door glass, lamp glass and halogen lamps, nor does it cover sealings. Furthermore, the factory warranty does not apply in the case of

- defects that are due to the fact that installation has not been carried out in accordance with the HOUNÖ Installation & Service Manual at present in force (electricity, gas, water/drain, exhaust),
- damage resulting from accidents, including damage caused by water, transport, misapplication or negligence,
- defects and interruptions of operation that are the result of the oven not being handled/operated as specified in the user's manual.

HOUNÖ cannot be made liable for indirect loss, including loss of profits.

If you utilise all the technological facilities of this oven, you are guaranteed perfect results with only a minimum of resources.

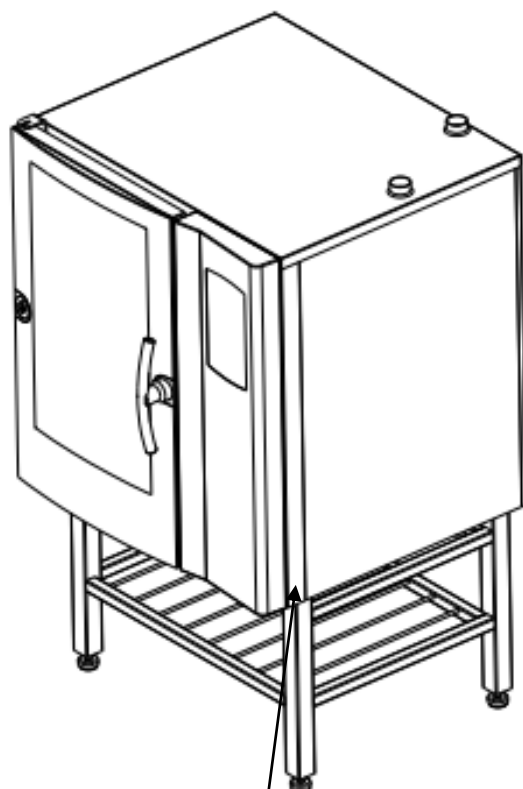
Enjoy your new HOUNÖ oven.



Yours sincerely,
HOUNÖ A/S

Rating Plate

When communicating with HOUNÖ, we kindly ask you inform us of the serial number of the oven that is stated on the approval plate. The approval plate is located on the right-hand corner post of the oven cabinet, as shown below.

The HOUNÖ Technical Support, whose experience and expert knowledge are at your disposal, can be contacted at tel. No. +45 87 11 47 11 and fax No. 87 11 47 10.



	HOUNÖ A/S 8900 Randers	
Tlf. +45 87 11 47 11	Fax +45 87 11 47 10	
Serie nr.: 04 02 29271	Type... : CPE 1.08	
Strom.... : 400Y 3N ~ 50/60 Hz 18 Kw		
Diagram 21000028		

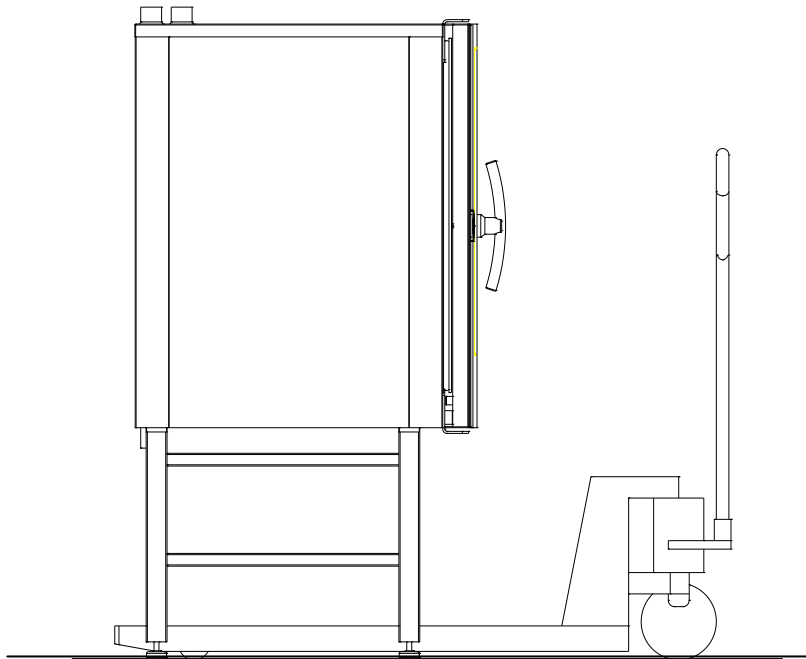
Installation and Connection

Unpacking the oven

The oven is best handled while still in its wrapping. Wherever possible, use a lifting trolley.

Introduce the lifting trolley under the lower cross tube of the stand and place a couple of wooden blocks between the cross tube and the lifting trolley.

To achieve the best possible balance, introduce the lifting trolley from the front of the oven or from the motor side. Note that the oven can be lifted off the stand.



Remove the original packaging from the oven. Do not remove the foil that covers the surfaces until the oven has been installed, as once the foil has been removed the surfaces are vulnerable to sharp objects such as tools.

Remove all packaging material that secures the racks in the oven chamber.

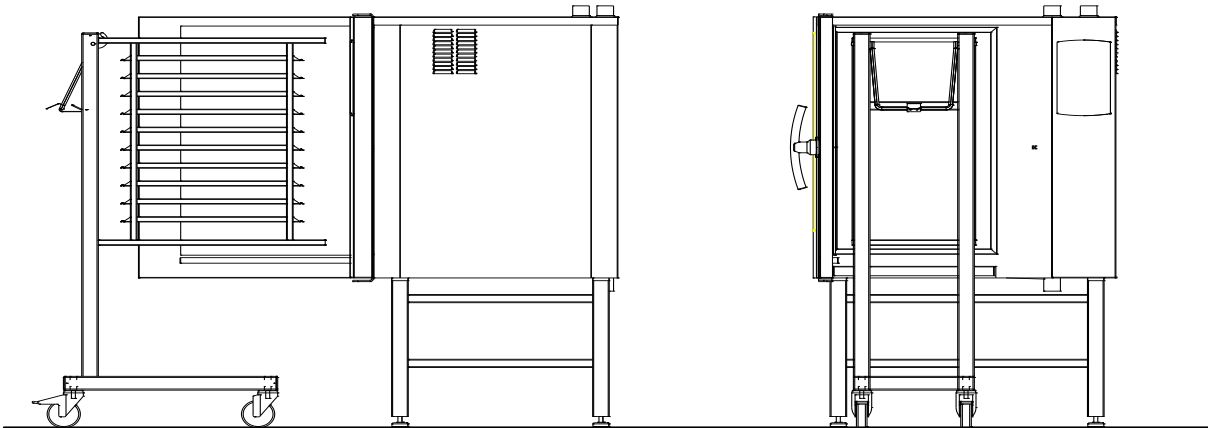


The packaging should be destroyed in accordance with national rules and regulations governing waste disposal. Information on the composition of the packaging material can be obtained from the HOUNÖ Customer Centre.

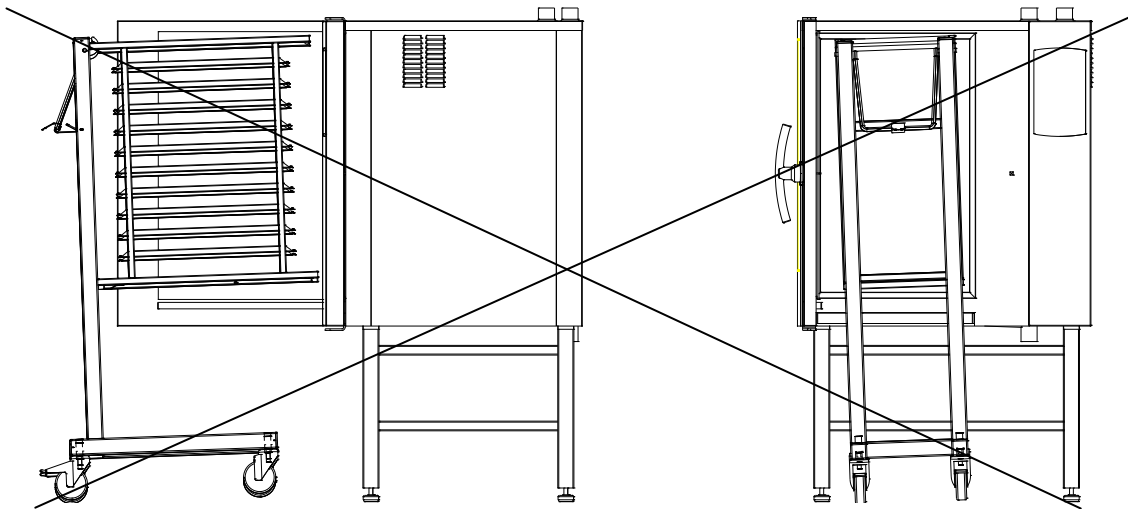
Installation and Connection

Installing the oven

To ensure that the oven functions correctly when installed, it should be placed upright and level (horizontally). This is measured at the front and side edge of the roof, and adjustment is made by means of the adjusting screws on the stand or on the legs of table models. The height of the oven can also be adjusted to fit the trolley for rack.



Correct



Wrong



The oven should be placed 5 cm / 2 inch from the rear wall and the distance between the right side of the oven and the nearest wall or piece of furniture, etc. should be at least 7 cm / 2.75 inch. This is to ensure the necessary flow of cooling air to the oven. Strong sources of heat such as hotplates, tilting frying pans, deep fat fryers, etc. should not be placed near the oven, otherwise the warranty may cease to apply.



(NSF) On an oven with stand, the distance to the floor must be at least 150 mm / 5.9 inch. Only 2½ threads must be visible on the adjustable feet.



(NSF) On table models, the legs must be adjusted to allow a minimum clearance of 76 mm / 3 inch to the surface on which the oven stands.

Installation and Connection

Water connection

HOUNÖ ovens have one or two water connections.

To facilitate cleaning and service, the oven should be connected with an approved flexible ¾" hose and the permanent installations should be fitted with a stop tap.



Before connecting the oven to water, flush the tubes thoroughly.

Hardness of the water:	max. 3 dH
Conductivity:	min. 75 microsiemens
Water pressure:	<u>min. 2.5 bar</u> (36 PSI) dynamic pressure (when CombiWash on), <u>max. 6 bar</u> (87 PSI)
Water flow:	min. 12 l/m
Water temperature:	max. 20°C (68°F)
Chloride concentration:	max. 100 mg/litre
Sulphate:	max. 150 mg/litre

The connection wire to the system should be fitted with a stop valve and a nonreturn valve.

If the feeder is connected to the water distribution system with a flexible hose, this hose should be VA approved.



If the water temperature exceeds 20°C / 68°F, problems with regard to ClimaOptima calibration and cooling of the oven may occur.



Ovens with a steam generator must not be connected to a reversed osmosis plant, as this may cause problems with the reading of the water level in the steam generator.



The water connection must be carried out by an authorised plumber in accordance with existing rules and regulations



Clogged up water filters and dirt in the solenoid valves are not covered by the warranty.



To ensure that the water quality is in conformity with the above requirements, the installation of a water filter in front of the water connection to the oven is recommended.



The installation of a particle filter (0.25mm) is also recommended.

In the case of two water connections, the following applies:

- 1) 1 connection for raw water for the condensation jet (cold water). Located at the back.
- 2) 1 connection for the steam generator and the jet in the oven chamber. Must meet the requirements applying to water supplied to household appliances; however, hot water with a temperature not exceeding 20°C / 68°F can be used. Located at the front.

Installation and Connection

Drain connection

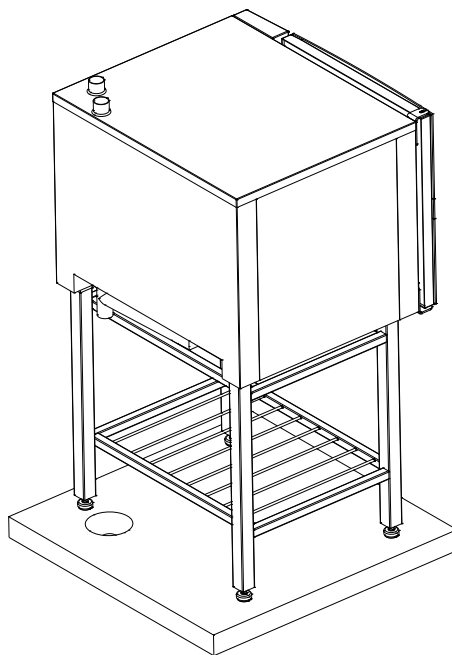
From the factory, the HOUNÖ ovens are equipped with a drain system that removes surplus water from the oven chamber. This water may be condensed water from the products, or it may occur when the oven chamber is cooled down with cold water, or when the oven chamber is cleaned.



Connection **must** be carried out by an authorised plumber, to an open or to a closed drain.



It is recommended that a water outlet is available/established in the floor of the room where the oven is located.



The drain must never end directly beneath the oven.

The drain must be of **stainless steel** or an equally temperature-resistant material, have a diameter of at least 50 mm / 2 inch and a fall of at least 3° or 5%.

Installation and Connection

Electrical connection/survey of supply lines

The electrical connection **must** be carried out by an authorised electrician in accordance with existing rules and regulations.

The wiring diagram is located in the motor compartment.

The terminal for the electrical connection is located behind the right side plate.



An approved plug outlet or a safety cutout must be located close to the oven so that the oven can be disconnected during installation and repair. The safety cutout must be able to cut off all poles with a total distance of break of at least 3 mm. Each of the two units in a stacked arrangement (CombiPlus) must have its own plug outlet or safety cut-out.



The warranty does not cover incorrect connection.

Supply lines - survey (applies to all models (C, B, K, CPE, BPE, KPE))

(All cross sections in mm²)

	1.06	1.06	1.08 - 1.10 - 1.12	1.08 - 1.10 - 1.12	1.16	1.16	1.20	1.20	2.10 2.14	2.10 2.14	2.20	2.20
	9 kW	Fuse	18 kW	Fuse	24 kW	Fuse	36 kW	Fuse	27 kW	Fuse	60 kW	Fuse
400V 3N ~ 50/60 Hz	5x2,5	16A	5x4	35A	5x10	50A	5x10	63A	5x10	50A	5x25	100A
400V 3 ~ 50/60 Hz	4x2,5	16A	4x4	35A	4x10	50A	4x10	63A	4x10	50A	4x25	100A
415V 3N ~ 50/60 Hz	5x2,5	16A	5x4	25A	5x10	50A	5x10	50A	5x10	50A	5x25	100A
440V 3 ~ 50/60 Hz	4x2,5	16A	4x4	25A	4x10	50A	4x10	50A	4x6	35A	4x25	90A
200V 3 ~ 50/60 Hz	4x4	35A	4x16	63A	4x25	100A	4x35	125A	4x25	80A	4x70	200A
230V 3 ~ 50/60 Hz	4x4	25A	4x10	50A	4x25	80A	4x35	100A	4x25	80A	4x70	175A
480V 3 ~ 50/60 Hz	4x2,5	16A	4x4	25A	4x6	35A	4x10	50A	4x6	35A	4x25	90A
208V 3 ~ 50/60 Hz	4x4	25A	4x10	50A	4x25	80A	4x35	100A	4x25	80A	4x70	200A

Recommended supply line: **H07RN-F**

When you connect the oven, you should

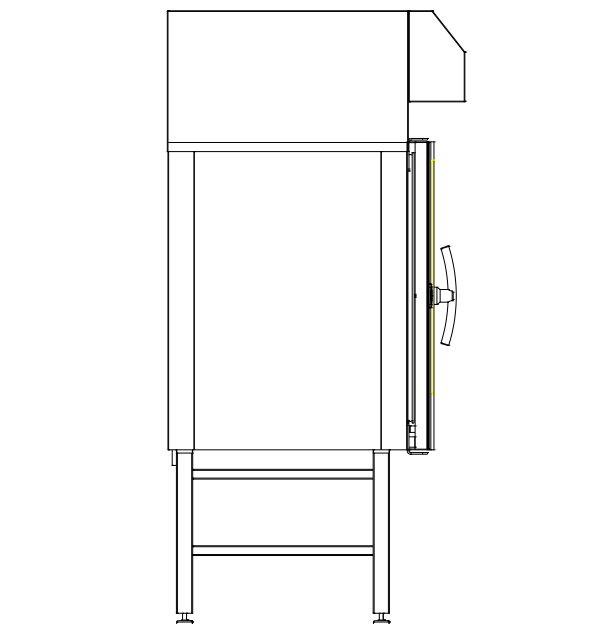
- Follow the installation instructions and the information given on the rating plate.
- Comply with local rules and regulations.
- HOUNÖ recommends the use of a (Type B) RCD/RCCB. 300 mA

Exhaust

The HOUNÖ ovens are equipped with an open/direct exhaust system that removes surplus humidity from the oven chamber. The exhaust system has an electrically operated damper.

The exhaust tube can be connected to a ventilating system. In that case, a special extraction funnel is fitted to avoid suction directly from the oven chamber. This extraction funnel can be ordered from HOUNÖ.

The scope of supply also includes a specially designed extraction hood, see illus. below.



If an extraction hood is installed in the ceiling above the oven, it should project 50 cm over the front of the oven. The suction effect should be 400 – 800 m³/h.

The ventilation motor can be controlled directly from the oven. This means that the ventilation starts when a program is started and runs for 10 minutes after the program is completed.



The installation of the ventilation must comply with local rules and regulations.

Checking before Use

The oven should be checked before you start using it.

On the outside

- Check that the oven has not been damaged in transit (dents, scratches, etc.)
- Check/adjust the height and check that the oven is placed level (horizontally)
- Check/adjust oven door
- **Connections**
 - Check for correct water connection
 - Turn on water supply
 - Check for leaks
 - Turn off water supply
 - Check and clean dirt filter
 - Turn on water supply again
 - Check hand shower
 - Check for correct electrical connection
 - Check connection to drip tray
 - Check for correct mounting of drip tray
 - Check for correct fall of hose from drip tray, and check for leaks
 - Check for correct exhaust and drain connection
 - Clean oven
 - Apply steel oil
- **Oven chamber**
 - Check that filter housing is mounted correctly
 - Check interior light
 - Clean oven
- **Operation panel**
 - Check and adjust, if necessary, each of the preset values
 - Heat up the oven at 250°C for approx. 5 min.

The installation checklist and the instruction checklist (appendices 1 and 2) should be filled in and returned to HOUNÖ 30 days after the installation, at the latest.

Annual Service Check

Customer:	
Address:	
By:	Postal code:
Serial No of the oven:	Model:

1. Connection:	Functioning correctly	YES	NO
Water connection – dirt filter (may need tightening)		<input type="checkbox"/>	<input type="checkbox"/>
Electrical connection (may need tightening)		<input type="checkbox"/>	<input type="checkbox"/>
Drain connection (may need tightening)		<input type="checkbox"/>	<input type="checkbox"/>
Positioning of oven		<input type="checkbox"/>	<input type="checkbox"/>

2. Door:	
Closing device (may need adjusting)	<input type="checkbox"/>
Catch (may need adjusting)	<input type="checkbox"/>
Sealing (must be tight at 100°C steam or combi steam)	<input type="checkbox"/>
Hinging (may need adjusting)	<input type="checkbox"/>
Interior glass (hinging, fastening)	<input type="checkbox"/>
Calibrate door sensor	<input type="checkbox"/>

3. Inside:	
Interior light	<input type="checkbox"/>
Jets (may need cleaning)	<input type="checkbox"/>
Fan (should rotate freely and be tightly fitted)	<input type="checkbox"/>
Heating element (may need tightening)	<input type="checkbox"/>

4. Under oven:	
Drain system (check for leaks and blocks)	<input type="checkbox"/>
Condensation jet and drain sensor	<input type="checkbox"/>
Drip tray (clean hose for discharge connection piece)	<input type="checkbox"/>
Drip slide on oven door	<input type="checkbox"/>

5. Motor room:	
Connection to heating elements	<input type="checkbox"/>
Load distribution on phases	<input type="checkbox"/>
Wire connection (overloading, bad connection, and tightening)	<input type="checkbox"/>
Exhaust motor	<input type="checkbox"/>
Fan motor (may need tightening)	<input type="checkbox"/>
Frequency transformer (check regulation)	<input type="checkbox"/>
ClimaOptima	<input type="checkbox"/>
Cooling fan	<input type="checkbox"/>
Filter for intake (may need cleaning)	<input type="checkbox"/>
Cooling plate for solid-state relays (clean)	<input type="checkbox"/>
Check for moisture	<input type="checkbox"/>

6. Steam generator:

- Heating elements (check for leaks)
- Load distribution on phases
- Level sensor – to be cleaned
- Drain pump

May need descaling

Functioning correctly YES NO

7. Functional test:

- Components (use test function)
- Core temperature probe
- Operation modes
- CombiWash (clean jet head)

Service engineer: Date and signature

Parts to be replaced at 12-, 24- and 36-month service intervals:

12-month inspection

Follow the annual service check (see above).

Change:

- Door seal*
- Light bulbs*
- Gasket for lamp glass*
- Nozzles*
- Bearing for nozzle arm*
- Update software*

24-month inspection

Follow the annual service check (see above).

Change:

- Door seal*
- Light bulbs*
- Gasket for lamp glass*
- Nozzles*
- Main contactor*
- Spring for handle*
- Bearing for nozzle arm*
- Update software*

36-month inspection

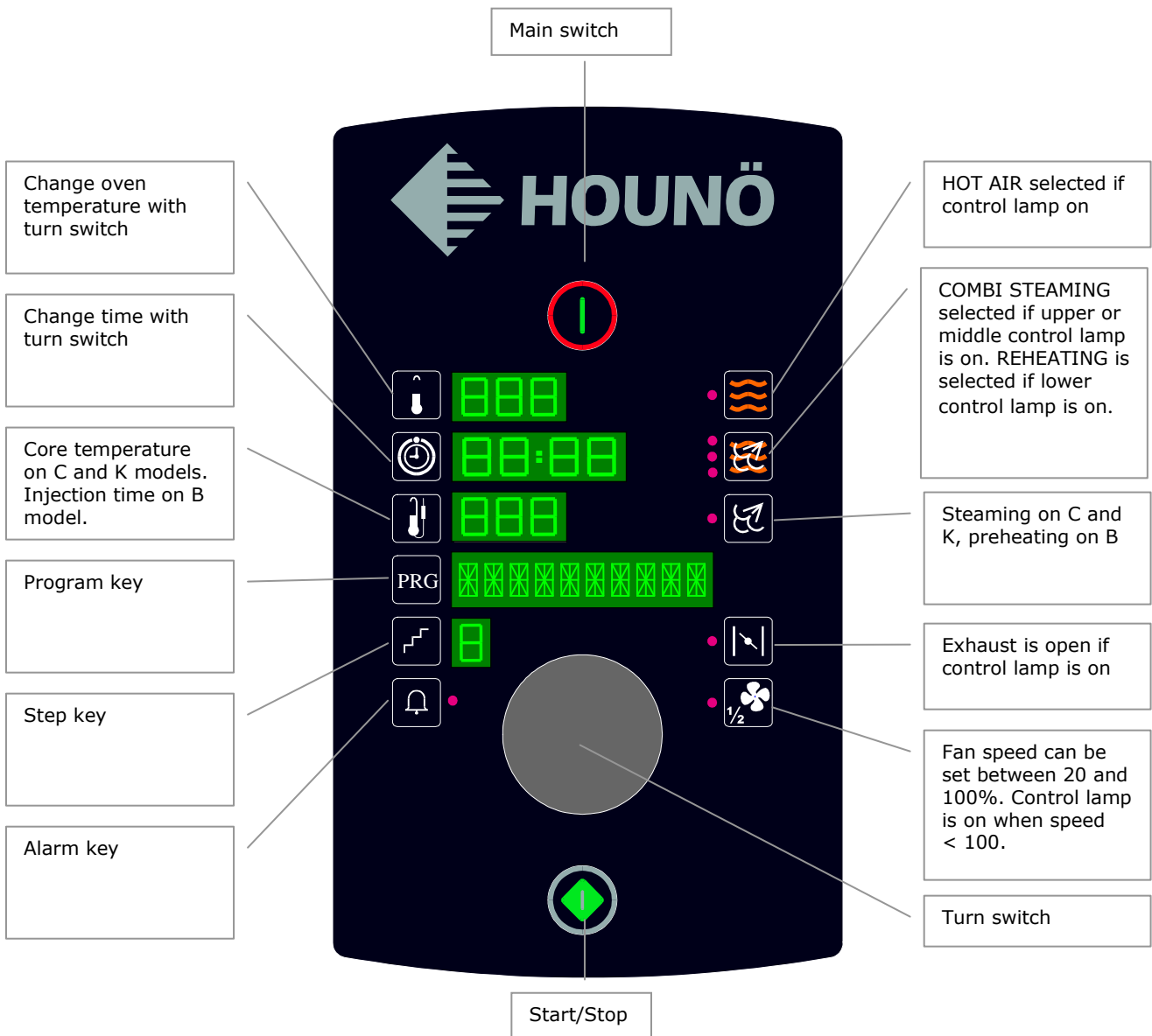
Follow the annual service check (see above).

Change:

- Door seal*
- Light bulbs*
- Gasket for lamp glass*
- Nozzles*
- Exhaust for damper motor*
- Detergent and rinse pump*
- Nozzle arm assy*
- Update software*

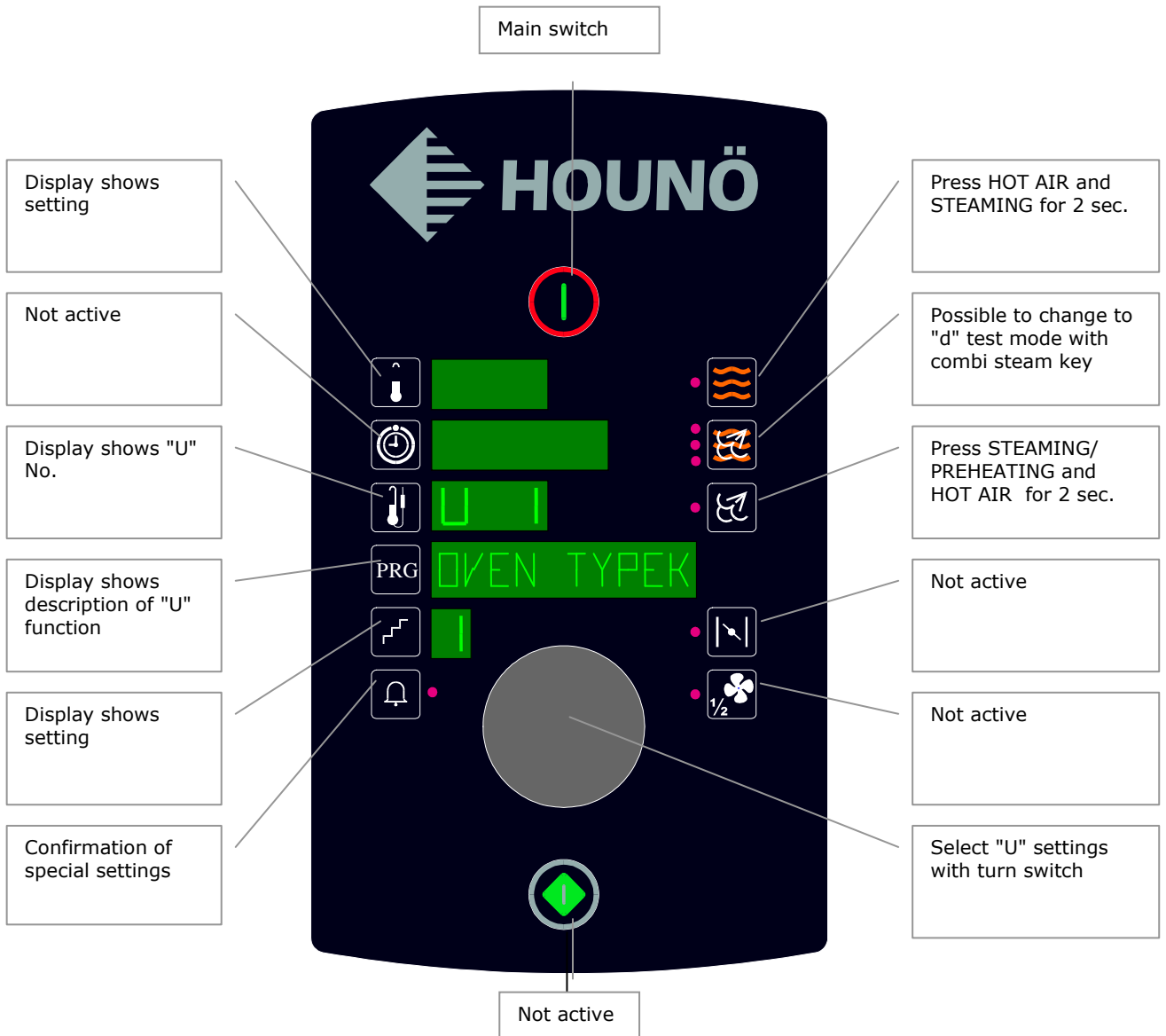
For further information regarding warranty conditions, please see www.houno.com/warranty.

Start Menu



- **Set temperature** (press temperature key, temperature flashes, set temperature with turn switch, press temperature key again to save).
- **Set time** (press time key, time flashes, set time with turn switch).
- **Set core temperature** (press core temperature key, set temperature with turn switch). C and K models only.
- **Set injection time** (press injection key, time flashes, set injection time with turn switch). B model only.

Oven set-up



- To enter set-up mode, press hot-air key and steaming/preheating key for 2 sec.
- To leave set-up mode, turn switch to the left. Change between set-up and test mode by pressing combi-steam key.
- The set-up mode is only intended for service engineers who wish to change the set-up of the computer control of the oven model in question.
- The program display shows a description of the "U" function in question.

Set-up Mode U

In the set-up function, it is possible to set the oven controller to match the mechanical set-up and the choice of software.

If the set-up has been changed in U1, U4 or U15, the oven will be reset.

U1 Oven model

You select the oven model (B, C or K) by pressing the step key.

1= K, 2= C, 3= B.

You press the temperature key to select a PassThrough model (two doors).

1= one door (standard) 2= two doors

When you have selected the oven model, confirm by pressing the alarm key if the control lamp flashes.

After that, the controller initialises.

NOTE: ALL settings and programs are reset.

You turn the speed alarm (E14) on and off by pressing the fan key. Control lamp on = ON, control lamp off = OFF.

U2 Oven size

You choose the oven size by pressing the step key: 0-7.0= 1.06, 1= 1.08, 2= 1.10, 3= 1.12, 4= 1.16, 5= 1.20, 6= 2.10, 7= 2.14.

The oven size you have chosen is shown in the field next to the temperature key.

U3 CombiWash

You activate or deactivate CombiWash by pressing the step key.

0=OFF, 1=ON.

U4 Temperature scale

You choose between Celsius and Fahrenheit as scale of temperature by pressing the step key.

0= Celsius 1= Fahrenheit.

You can "even out" the current temperature by pressing the temperature key.

0=OFF, 1=ON

When you have chosen the temperature scale, confirm by pressing the alarm key if the control lamp flashes.

After that, the controller initialises.

NOTE: ALL settings and programs are reset.

U5 Not in use

U6 Low-temperature steaming

You activate and deactivate low-temperature steaming by pressing the step key.

0= OFF, steaming only possible at 100°C, 1= ON, steaming only possible between 30°C and 120°C.

NOTE: This function is available on K models only. If chosen on a B or C model, nothing happens.

U7 Preheating at 300°C

You activate and deactivate preheating by pressing the step key.

0= OFF, 1= ON.

NOTE: Preheating at temperatures above 250°C is only possible for max. 15 minutes.

U8 Setting water level sensor

When you press the temperature key, the water level value starts flashing and can then be set between 40 and 80 (default 70).

If the conductivity of the water is low, set the water level higher.



U9 Automatic restart

You activate and deactivate automatic restart by pressing the step key.

0= OFF, 1= 10 minutes, 2= 30 minutes, 3= 60 minutes.

This means that if there is a power cut, the program that was interrupted will be reassumed provided that the power returns within the time set.

U10 Programs

You activate the program mode by pressing the step key.

0= OFF, 1= 10 programs with 3 process steps.

NOTE: It is still possible to activate the cleaning program even though the program mode is not active.

0= OFF.

U11 Core temperature probe

You activate and deactivate the core temperature probe by pressing the step key.

0= OFF, 1= ON.

U12 Drain cooling

You activate and deactivate drain cooling by pressing the step key.

0= OFF, 1= ON.

U13 Timer start

You activate or deactivate timer start by pressing the step key.

0= OFF, 1= ON.

U14 Demo

You activate or deactivate the demo mode by pressing the step key.

0= OFF, 1= ON.

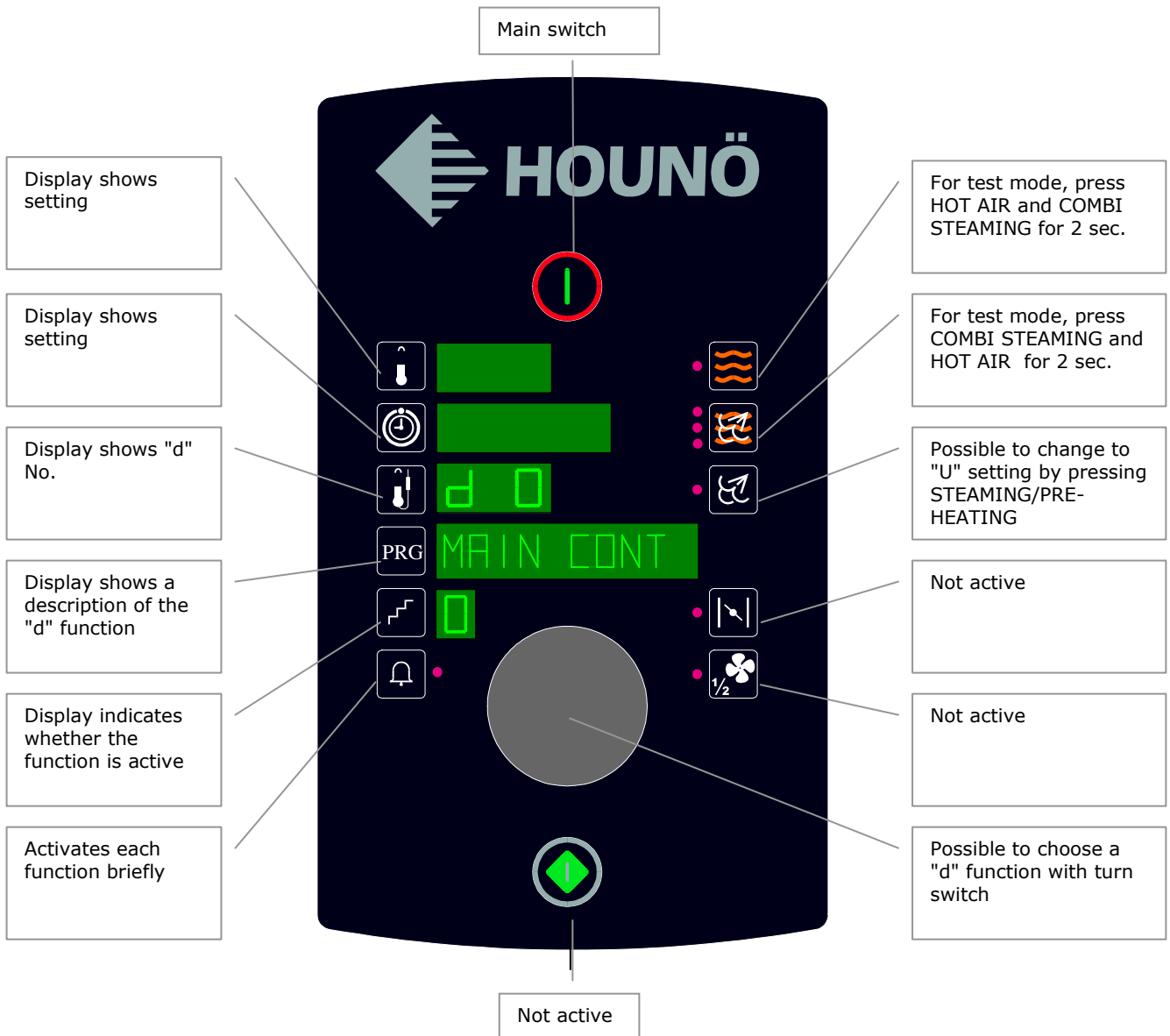
NOTE: If the demo mode is on (1= ON), the oven will run without heating elements and steam generator being switched on.

When the oven starts, it will let you know whether the demo mode is on.

U15 Initialising

You reset the controller by pressing the alarm key.

Test Mode



- To enter test mode, press hot-air key and combi-steam key for 2 sec.
- To exit test mode, turn switch left. Change between set-up mode and test mode by pressing steaming/preheating key.
- How to operate the selected component: You turn the component on (1) and off (2) by pressing the step key. Or, you press the alarm key, and the component is active for as long as you press the key.
- The test-up mode is only intended for service engineers who wish to test the various modes/functions.

Test Mode D0-D6

In the test mode, it is possible to activate all electrical components. This is very useful in connection with fault detection and the testing and adjusting of replacement parts.

D0 Main contactor(s)

This function activates contactor K1.

You activate or deactivate the function by pressing the step key. The function can, however, only be activated when the fan is on.

To pulse, press the alarm key.

0= OFF, 1= ON.

Status for the main alarms appear in the display as follows:

Digit 1 fan

Digit 2 oven

Digit 3 generator

Digit 4 Solid State Relay

If ER28 appears, the alarm sensor circuit board or wiring harness is defective.

D1 Oven heat

This function activates contactor K2.

You activate or deactivate the function by pressing the step key.

Humidity pulsing is possible by pressing the alarm key.

0= OFF, 1= ON.

D2 Steam generator heat

Available on K models only

This function activates contactor K3.

You activate or deactivate the function by pressing the step key. However, this function can only be activated when there is water in the steam generator.

To pulse, press the alarm key.

0= OFF, 1= ON.

D3 Fan, right-hand, high/low

This function activates the frequency exchanger.

You can test the speed of the motor by pressing the step key.

0= OFF, 2= ON

By pressing the time key, it is possible to adjust the speed of the motor from 0 to 100%.

The RPM appears in the temperature display.

Note: The main contactor K1 must be active for this function to work, as the frequency transformer is connected via K1

D4 Fan, left-hand, high/low

This function activates the frequency exchanger.

You can test the speed of the motor by pressing the step key.

0= OFF, 2= ON

By pressing the time key, it is possible to adjust the speed of the motor from 0 to 100%.

The RPM appears in the temperature display.

Note: The main contactor K1 must be active for this function to work, as the frequency transformer is connected via K1

D6 Solenoid valve

This function activates solenoid valve MV1.

You activate or deactivate the function by pressing the step key

To pulse, press the alarm key.

0= OFF, 1= ON.

Test Mode D7-D15

D7 Filling valve

Available on K models only.

This function activates solenoid valve MV2.

You activate or deactivate the function by pressing the step key.

To pulse, press the alarm key. 0= OFF, 1= ON.

D8 Drain pump

Available on K models only.

This function activates motor M2.

You activate or deactivate the function by pressing the step key.

To pulse, press the alarm key. 0= OFF, 1= ON.

D9 Drain cooling

This function is not available on B models.

This function activates solenoid valve MV3.

You activate or deactivate the function by pressing the step key.

To pulse, press the alarm key. 0= OFF, 1= ON.

D10 Damper motor

This function activates motor M3.

In the display next to "Time", it is possible to read the status of the damper motor switch.

OFF= damper open, ON= damper closed.

You activate or deactivate the function by pressing the step key.

To pulse, press the alarm key. 0= OFF, 1= ON.

D11 Exhaust

This function activates the outlet for controlling the external ventilation, terminals 4 and 5.

In the display next to "Time", it is possible to read which outlet is active.

OFOF= both outlets are off, ONOF= outlet 4 is active and outlet 5 is off.

OFON= outlet 4 is off and outlet 5 is active. ONON= both outlets are active.

You activate or deactivate the function by pressing the step key.

0= OFOF, 1= OFON, 2= ONOF, 3= ONON.

D12 Cooling fan

This function activates motors M7 and M7A.

You activate or deactivate the function by pressing the step key.

To pulse, press the alarm key.

0= OFF, 1= ON.

D13 Buzzer

This function activates buzzer H2.

You activate and deactivate this function at high volume by pressing the step key.

It is possible to pulse at low volume by pressing the alarm key.

0= OFF, 1= ON.

D14 Interior light

This function activates interior light H1.

You activate or deactivate the function by pressing the step key.

To pulse, press the alarm key.

0= OFF, 1= ON.

D15 Oven temperature

Here it is possible to read the current oven temperature, P1.

In the field next to "Temperature", the current temperature is shown. If ERR appears, the sensor circuit is defective.

In the field next to "Time", an adjustment value between 80 and 120 (default 100) is shown.



To adjust the temperature, press the time key until the digit in the display flashes. Then adjust upwards or downwards until the correct temperature is shown. Finally, press the time key again to save the setting.

The temperature can be adjusted by $\pm 10^{\circ}\text{C}$.

D16 Core temperature

This function is not available on B models.

C and K models can use only one core temperature probe, it is possible, however, to test core temperature probes 1 and 2.

Here it is possible to read the current temperature of the core temperature sensor, P2 + P2A. In the field next to "Temperature", the current temperature is shown. If ERR appears, the sensor circuit is defective.

In the field next to "Time", an adjustment value between 80 and 120 (default 100) is shown. To adjust the temperature, press the time key until the digit in the display flashes. Then adjust upwards or downwards until the correct temperature is shown. Finally, press the time key again to save the setting.

The temperature can be adjusted by +- 10°C.

You change between the various measuring points of the core temperature probe by pressing the step key.

1= Core temp.probe 1, point 1, 2= Core temp.probe, point 2, 3= Core temp.probe 1, point 3.

4= Core temp.probe 2, point 1, 5= Core temp.probe, point 2, 6= Core temp.probe 2, point 3.

D17 Steam generator temperature

Available on K models only.

Here it is possible to read the current steam generator temperature, P3.

In the field next to "Temperature", the current temperature is shown. If ERR appears, the sensor circuit is defective.

In the field next to "Time", an adjustment value between 80 and 120 (default 100) is shown.

To adjust the temperature, press the time key until the digit in the display flashes. Then adjust upwards or downwards until the correct temperature is shown. Finally, press the time key again to save the setting.

The temperature can be adjusted by +- 10°C.

D18 Drain temperature

Here it is possible to read the current steam generator temperature, P4.

In the field next to "Temperature", the current temperature is shown. If ERR appears, the sensor circuit is defective.

In the field next to "Time", an adjustment value between 80 and 120 (default 100) is shown.

To adjust the temperature, press the time key until the digit in the display flashes. Then adjust upwards or downwards until the correct temperature is shown. Finally, press the time key again to save the setting.

The temperature can be adjusted by +- 10°C (approx. 0.5°C per step).

D20 Door sensor

Here it is possible to read the status of and calibrate door sensor 1 = SE1 and 2 = SE1A.

You change between door sensor 1 and 2 by pressing the step key (if 2 door sensors have been selected in U1).

After some time, the text "DOOR SENSOR" changes to show the status of the sensor:

>CLOSED<, >OPEN<, >SENS ERROR<.

You start the calibration by pressing the exhaust key.

How to calibrate:

1. Press exhaust key
2. >CLOSE DOOR< flashes
3. Close the door
4. Press exhaust key
5. >OPEN DOOR< flashes
6. Open door in first step
7. Press exhaust key
8. >CALIB OK< or >CALIB ERR< appears

In the display next to the temperature key, it is possible to read the current value (0 – 120).

In the display next to the time key, it is possible to read the set point.

Test Functions D21-28

D21 Water level

Available on K models only.

Here it is possible to read the status of SE2.

In the display next to "Time", the conductivity is shown and it is indicated whether the water level is high or low

XX|LO= low water level, XX|HI= high water level.

XX = conductivity of the water.

Default setting is approx. 80 with no water and 40.60 with water. The better the conductivity, the lower the measured value.

D22 Thermo-switch oven

Here it is possible to read the status of Q1 and Q1A.

In the display next to "Time", it is shown whether the circuit is connected or disconnected.

OF= disconnected ON= connected.

In the event of defects, it is possible to reset thermo-switches Q1 and Q2 that are located at the bottom of the oven below the operation panel.

Note: Q2 is only found in ovens with 2 fan motors (1.16 and 1.20). Q1 and Q1A are series connected which is why there is only one input signal.

D23 Thermo-switch fan

Here it is possible to read the status of S2 and S2A

In the display next to "Time", it is shown whether the circuit is connected or disconnected.

OF= disconnected ON= connected.

In the event of defects, wait for 10 – 20 minutes, then try again.

Note: Q2 is only found in ovens with 2 fan motors (1.16 and 1.20). S1 and S1A each have their own input on the IO board hence 2 x status (On On / OF OF / On OF / OF On).

D24 Damper switch

Here it is possible to read the status of M3.

In the display next to "Time", it is possible to read the status of the damper motor switch.

OF= damper open, ON= damper closed.

D27 Pump for detergent

Only possible on ovens with CombiWash

This function activates pump M5.

You activate or deactivate the function by pressing the step key.

To pulse, press the alarm key.

0= OFF, 1= ON.

D28 Pump for rinse aid

Only possible on ovens with CombiWash

This function activates pump M6.

You activate or deactivate the function by pressing the step key.

To pulse, press the alarm key.

0= OFF, 1= ON.

Test Mode D29-D47

D29 CombiWash water

Only possible on ovens with CombiWash.

This function activates solenoid valve MV4.

You activate or deactivate the function by pressing the step key.

To pulse, press the alarm key.

0= OFF, 1= ON.

D34 Water pressure sensor

Here it is possible to read the status of P7.

OF|HI= water pressure adequate, ON|LO= water pressure inadequate.

D36 Steam generator thermo-switch

Here it is possible to read the status of Q3

In the display next to "Time", it is shown whether the circuit is connected or disconnected.

OF= disconnected ON= connected.

In the event of defects in the oven, it is possible to reset thermo-switch Q3 which is located at the bottom of the oven below the operation panel.

D37 Motor RPM 1

Here it is possible to read the number of revolutions for fan motor 1.

The number of revolutions is shown in the display next to the temperature key.

D38 Motor RPM 2

Available on 1.16 and 1.20 models only.

Here it is possible to read the number of revolutions for fan motor 2.

The number of revolutions is shown in the display next to the temperature key.

D46 Temperature CPU board

Here it is possible to read the temperature of the CPU board.

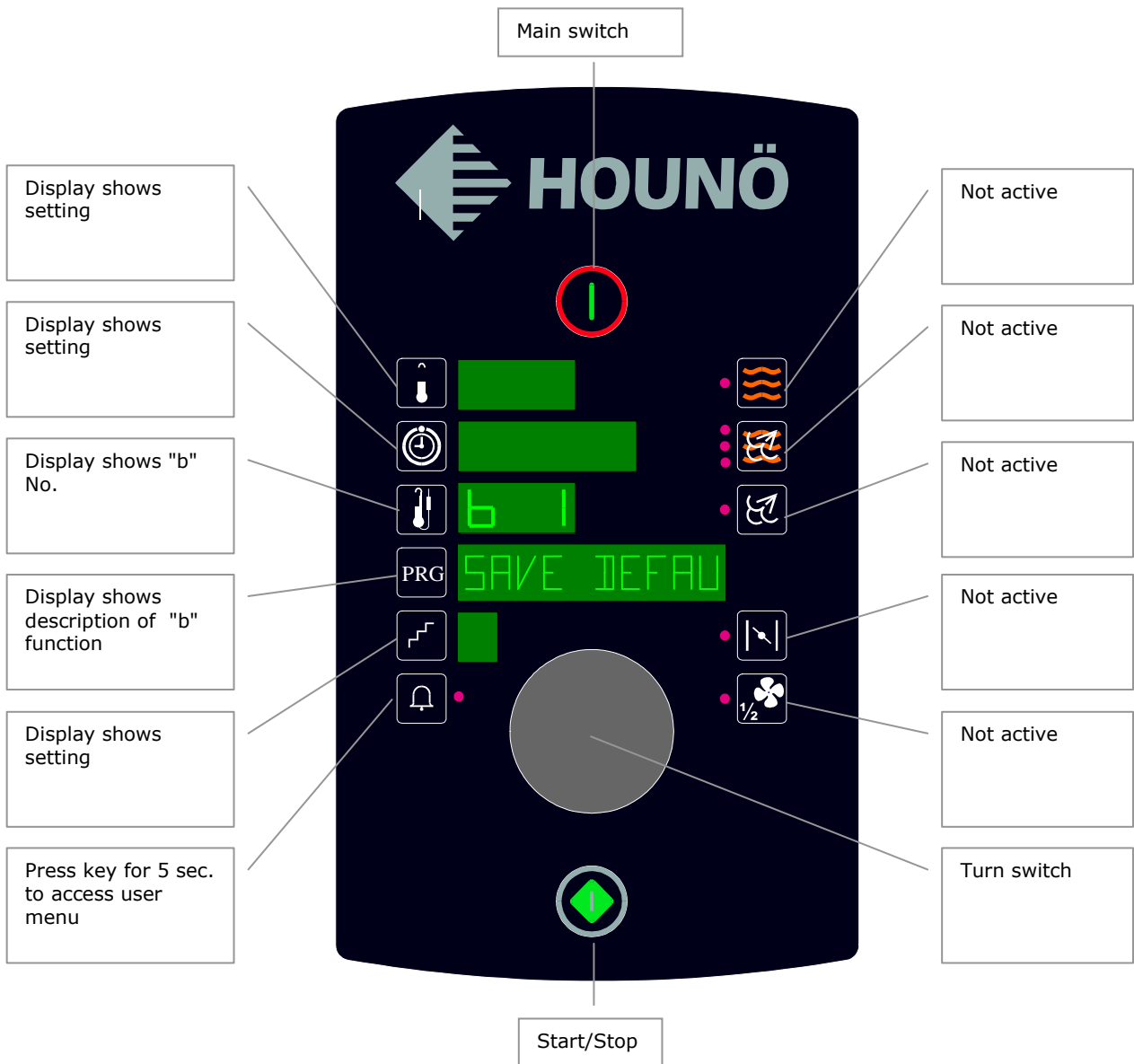
In the display next to "Temperature", the temperature of the CPU board is shown. Max 60°C.

D47 Temperature IO board

Here it is possible to read the temperatures of the IO board.

In the display next to "Temperature", the temperature of the IO board is shown. Max 60°C.

User Menu



To enter user menu, press alarm key for 5 sec.

To exit user menu, turn the switch to the left.

The user menu can be operated by the end-customer as well as by the service engineer.

User Menu B1-B7

B1 Save presets

In this function, you save the preset time and temperature.

If, for instance, the end user uses HOT AIR at 180°C for 30 minutes, the standard setting can be changed as follows:

1. Change time and temperature.
2. Enter user menu (keep pressing alarm key for 5 sec.)
3. Select B1 (save presets).
4. Press alarm key to accept.

You can only save the settings when the control lamp next to the alarm key flashes.

B2 Timer start

(Please see user manual)

B3 Sound level low

In this function, you adjust the sound that is heard when a key is activated. The sound level can be adjusted from 0 to 9 (0 is no sound at all).

You adjust the sound level by pressing the step key.

B4 Sound level high

In this function, you adjust the sound that comes from the alarm. The sound level can be adjusted from 1 to 9 (1 is very low).

You adjust the sound by pressing the step key.

B5 Sound frequency

In this function, you adjust the sound frequency.

The sound frequency can be adjusted from 1 to 9.

You adjust the sound by pressing the step key.

You test the sound by pressing the alarm key.

B6 Interior light

In this function, you adjust the interior light.

The light can be set at 0 or 5.

0= Light is always on.

5= Light goes out when the oven has been idle for 5 minutes.

You adjust the interior light by pressing the step key.

B7 Current temperature

In this function, you choose whether the oven should display the current temperature or the preset temperature.

You choose between 0 and 1

0= The preset temperature is shown.

1= The current temperature is shown.

You change the setting with the step key.

User Menu B8-B13

B8 Exhaust

In this function, you choose whether the oven should start up the extraction hood.

0= Extraction hood not controlled by oven

1= Extraction hood runs for 10 minutes after oven has stopped.

This applies to an extraction hood mounted on the oven as well as for an external extraction hood.

B9 Time graphics

In this function, you determine whether the oven should be able to show graphically how long time has passed of a cooking sequence.

You choose between 0 and 1.

0= No graphics

1= Graphics, for instance "IIIIII-----", appear

You change the setting with the step key.

B10 Minutes

In this function, you set the minutes of the oven's clock.

1. Press the key next to the temperature display (digit flashes).

2. Turn the switch to the desired setting of minutes.

3. Press the key next to the temperature display (digit stops flashing)

You can set the minutes from 0 to 59.

The oven's clock may appear as screen saver.

B11 Hours

In this function, you set the hours of the oven's clock.

1. Press the key next to the temperature display (digit flashes)

2. Turn the switch to the desired setting of hours.

3. Press the key next to the temperature display (digit stops flashing)

You can set the hours from 0 to 23.

The oven's clock may appear as screen saver.

B12 Day/weekday

In this function, you set the day of the month and of the week.

1. Press the key next to the temperature display (digit flashes)

2. Turn the switch to the desired day of the month (1-31).

3. Press the key next to the temperature display (digit stops flashing)

4. Press the key next to the time display (digit flashes)

5. Turn the switch to the desired day of the week (1-7).

6. Press the key next the time display (digit stops flashing)

You select automatic updating to summer time.

0= No automatic updating to summer time.

1= Automatic updating to summer time.

If you choose not to have the oven update to summer time automatically, you cannot set the weekday.

Automatic updating to summer time only functions correctly in Western Europe.

B13 Month

In this function, you set the month.

1. Press the key next to the temperature display (digit flashes).

2. Turn the switch to the desired month.

3. Press the key next to the temperature display (digit stops flashing).

You can set the month from 1 to 12.

User Menu B14-B21

B14 year

In this function, you set the year.

1. Press the key next to the temperature display (digit flashes).
2. Turn the switch to the desired setting.
3. Press the key next to the temperature display (digit stops flashing).

You set the year from 6 to 20.

B15 CombiWash

In this function, you activate or deactivate CombiWash.

- 0= Manual cleaning
- 1= CombiWash

Press step key to change setting.

B16 Pulsing interval, reheating

In this function, you set the pulsing time in the reheating mode.

1. Press the key next to the temperature display (digit flashes).
2. Turn the switch to the desired time.
3. Press the key next to the temperature display (digit stops flashing)

You set the time from 5 – 50 sec.

B17 Pulsing interval, Combi Steam 1

In this function, you set the pulsing time for Combi Steam 1.

1. Press the key next to the temperature display (digit flashes).
2. Turn the switch to the desired time.
3. Press the key next to the temperature display (digit stops flashing)

You set the time from 2 to 50 sec.

B18 Pulsing interval, Combi Steam 2

In this function, you adjust the pulsing time for Combi Steam 2.

1. Press the key next to the temperature display (digit flashes).
2. Turn the switch to the desired time.
3. Press the key next to the temperature display (digit stops flashing)

You set the time from 1 sec. to the number of seconds specified to be the pulsing time for Combi Steam 1.

B19 Save all (Backup)

In this function, you save set-up and programs to the IO board for subsequent restoration. This can be used as backup when set-up and programs are correct.

Press alarm key to save.

B20 Restore all

In this function, you restore set-up and programs you have saved earlier.

B21 Restart

In this function, you can activate the "restart" button in a Pass-Through model.

You select from 0 to 9. 0 means not active. From 1 to 9 means minutes of time, which it will run after pushing the button.

User Menu B22-B24

B22 Screen saver

In this function, you set the time that should pass until the clock appears in the display. Press step key to select time.

- 0= no screen saver
- 1= 10 sec.
- 2= 30 sec.
- 3= 60 sec.
- 4= 180 sec.
- 5= 600 sec.

The screen saver appears when the oven has been idle for a particular period of time.

B23 Language

In this function, you change the language of the computer.

Press step key and select 1 to 9. There are two language variants: A – B (see below).

	A	B
1	DANISH	ENGLISH
2	ENGLISH	CROATIAN
3	SWEDISH	SLOVENE
4	FINNISH	ESTONIAN
5	GERMAN	HUNGARIAN
6	SPANISH	RUSSIAN
7	FRENCH	CZECH
8	ITALIAN	-
9	DUTCH	-

To change the language, you need to update again (see B24).

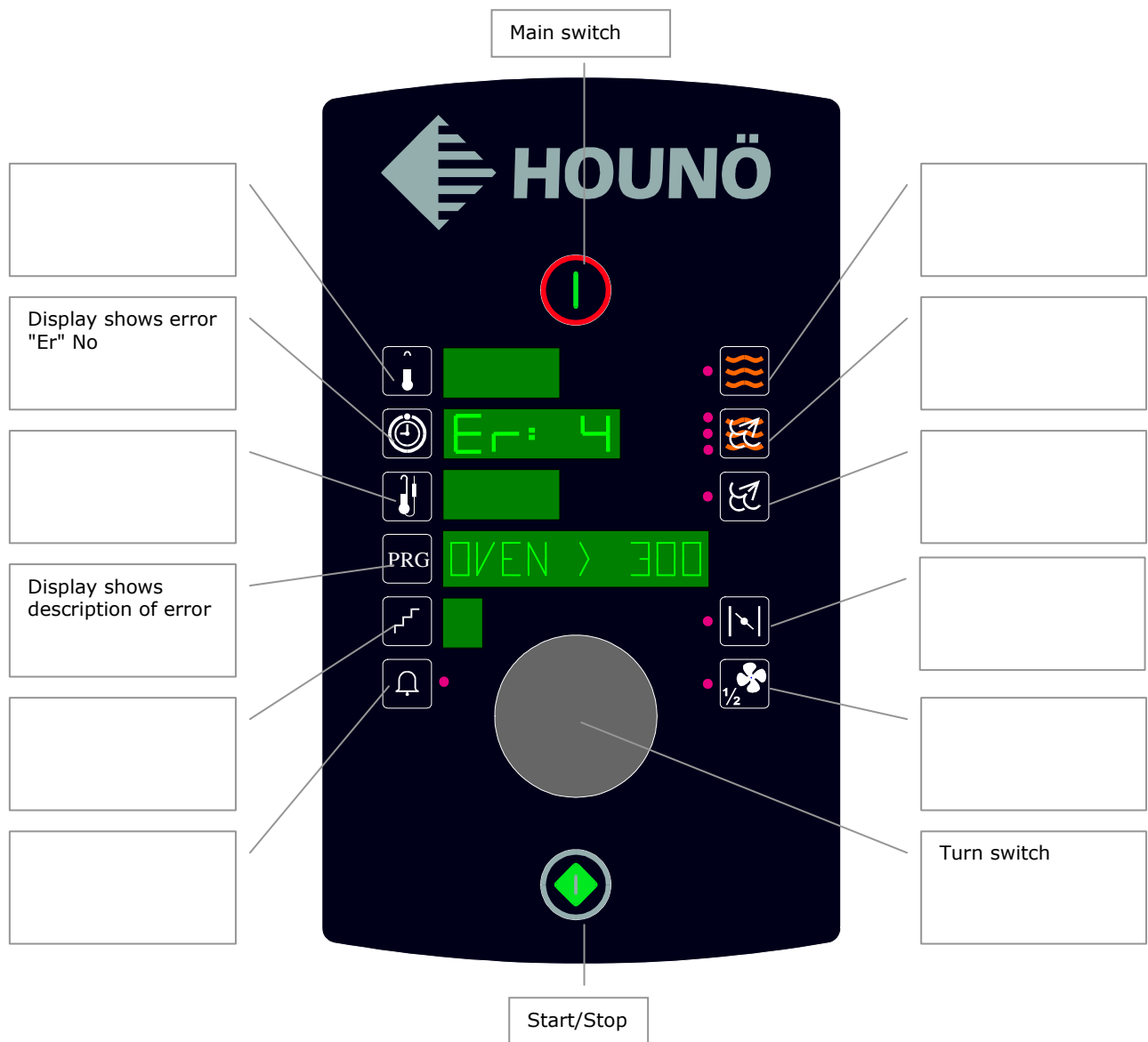
B24 Software update

In this function, you update the computer software by means of a special memory key (not a USB key).

1. Insert memory key.
2. Press alarm key to view software version and language variants.
3. Press step key to select language variant.
4. Press alarm key again to start updating process.

The software version of the oven in question is also shown in the start-up sequence when the oven is switched on.

Error codes



All keys can be used to acknowledge an error message.

Error codes

Error code 3:	GENRA HOT	Generator too hot (Generator thermostwitch has tripped. Reconnect by pressing button under oven.)
Error code 4:	OVEN HOT	Oven too hot (Oven chamber thermostwitch has tripped. Reconnect by pressing button under oven.)
Error code 5:	FAN HOT	Fan too hot (Thermostwitch in motor has tripped. Wait for 10 minutes and try again.)
Error code 6:	DRAIN > 75	Drain too hot (Drain temperature has been above 75°C for more than 5 min. Check that jet in drain is working.)
Error code 7:	OVEN SENS	Oven sensor defective (Temperature sensor in oven chamber not working properly.)
Error code 8:	PROBE SENS	Core temp. probe not connected (A program using core temp. probe has been selected but probe has not been connected.)
Error code 9:	GENER SENS	Generator sensor defective (Temperature sensor in generator not working.)
Error code 10:	DRAIN SENS	Drain sensor defective (Sensor in drain not working. Oven can still be used.)
Error code 11:	WATER SHOR	Water shortage (Steam generator was not filled within two minutes. Check that the water has been turned on.)
Error code 12:	SSR HOT	SSR too hot (Solid-state relay too hot.)
Error code 13:	GENER > 130	Generator too hot (Temperature in steam generator higher than 130°C. If fault recurs, descale generator)
Error code 14:	FAN SPEED	Fan running too slow
Error code 15:	CPU HOT	CPU board too hot (> 60°C)
Error code 16:	IO BRD HOT	IO board too hot (> 60°C)
Error code 18:	DATA ERROR	Error in set-up data
Error code 19:	WRONG LANG	Wrong language
Error code 20:	NO COM IO	Internal defect (Failure in communication between computer and IO board.)
Error code 22:	NO RESTART	Restart not possible (Oven has been without power too long.)
Error code 23:	OVEN WARM	Oven too hot at CombiWash start-up
Error code 24:	DRAIN ERR	Draining failure (Drain blocked or failure of drain pump. Water level in generator still high after 10 seconds of draining.)
Error code 25:	PROBE ERR	Core temperature probe defective (1, 2 or 3 of the elements in the core temperature probe defective.)
Error code 28:	ALARM ERR	Configuration error in main alarms (3, 4, 5, 12) (warning)
Error code 29:	DOOR SENS	Wrong door sensor signal (warning)
Error code 34:	WATER PRES	Water pressure too low (Check that water is turned on.)
Error code 40:	IO BRD HOT	Temperature in IO board critical (Warning after program run.)
Error code 43:	WRONG SW	Wrong software version (Visual Cooking I oven)
Error code 44:	DAMPER ERR	Failure during initialisation of exhaust at oven start-up
Error code 45:	24 V ERROR	24 V missing or failure of main contactor output

HOUNÖ INSTALLATION CHECKLIST
FOR VISUAL COOKING OVENS

To be filled out at each installation of a HOUNÖ oven.

In order for the oven to qualify for warranty, this check list must be filled out by the service engineer installing the oven and returned to HOUNÖ within 30 days of the date of installation.

Serial no.: _____

Installed by: _____

Date of installation: _____ / _____ / _____

The installation was carried out not carried out on the basis of the requirements specified in the service and installation manual, please tick.

If the measurements do not correspond with the values stated in the service and installation manual, your HOUNÖ distributor should be notified.

We confirm that the installation has been carried out on the basis of the attached check list and in compliance with the rules/requirements applying in the country/area in question.

When the oven was handed over, it was free from any kind of defect.

Signature / date – service engineer

Signature / date - customer

Send this form by e-mail to kundecenter@houno.com,
or fax it through at +45 87 11 47 10.



Access to the oven:

Recommended distance for service and for installation near other heat-generating appliances (all oven sizes).

	All ovens	Distance measured in mm
Left side minimum	50 mm (2")	
Rear side minimum	50 mm (2")	
Right side minimum	400 mm (15")	

Drain connection:

Yes No

Heat-resistant drain tube connected.

Fall of at least 3° or 5%.

CombiPlus fitted with open drain for both ovens.

<input type="checkbox"/>	<input type="checkbox"/>
<input type="checkbox"/>	<input type="checkbox"/>
<input type="checkbox"/>	<input type="checkbox"/>

The drain must never end directly under the oven.

Voltage and water supply:

(Please insert the measured value)

Voltage measured at:

Water pressure measured at: (min. 2 bar/28,5 psi max. 6 bar/88 psi).

<input type="text"/>
<input type="text"/>

Does the voltage on site comply with the voltage stated on the approval plate?

Dirt filter fitted.

Yes No

<input type="checkbox"/>	<input type="checkbox"/>
<input type="checkbox"/>	<input type="checkbox"/>

Function test:

Yes No

All electrical connections are tight.

All water connections are tight and have been fastened.

All functions are operable.

All equipment is operable.

<input type="checkbox"/>	<input type="checkbox"/>
<input type="checkbox"/>	<input type="checkbox"/>
<input type="checkbox"/>	<input type="checkbox"/>
<input type="checkbox"/>	<input type="checkbox"/>

HOUNÖ INSTRUCTION CHECKLIST
FOR VISUAL COOKING OVENS

To be filled out for each installation of a HOUNÖ oven.

In order for the oven to be qualified for warranty, this check list must be filled out and returned to HOUNÖ within 30 days of the date of instruction.

Customer: _____

Address: _____

Tel.: _____

Fax: _____

E-mail address: _____

Serial no.: _____

Instruction carried out by: _____

Date of instruction: _____ / _____ / _____

(Please tick the appropriate box)

Yes No

The customer has been instructed in the manual use and programming of the oven.

<input type="checkbox"/>	<input type="checkbox"/>
<input type="checkbox"/>	<input type="checkbox"/>
<input type="checkbox"/>	<input type="checkbox"/>

The customer has been instructed in the daily cleaning of the oven.

The customer has been instructed in the maintenance of the oven.

When the oven was handed over, it was free from any kind of defect. The handling, maintenance and cleaning of the oven have been explained to the customer.

Signature / date – Sales person

Signature / date - Customer

Send this form by e-mail to kundecenter@houno.com,
or fax it through at +45 87 11 47 10.



HOUNÖ A/S
ALSVEJ 1
DK-8940 RANDERS SV
DENMARK

T: +45 8711 4711
E: houno@houno.com

www.houno.com

